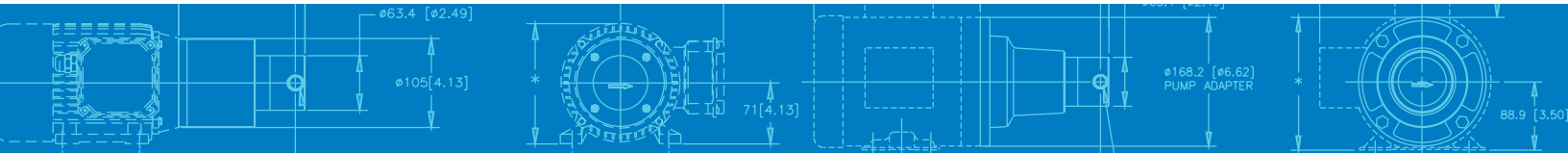




Series GL

MAGNETIC DRIVE GEAR PUMP

Series GL pumps deliver exceptional pumping performance for any high-precision application. These compact magnetically driven gear pumps feature a cavity style design with benefits such as chemical resistance, smooth pulseless fluid delivery, and high-system pressure capability. Micropump's Series GL pumps keep your operations flowing smoothly.



CAVITY STYLE PUMPS

Cavity style pumps are excellent for wide-ranging inlet and outlet operating conditions, and allow for intermittently pumping in reverse.

SMALL SIZE

The miniature package size of the Series GL is easily incorporated into the design of many systems.

FLUID PATH INTEGRITY

The magnetic drive and static o-ring seal(s) keep the fluid securely inside the pump and potential contaminants out.

SMOOTH PULSELESS DELIVERY

Positive displacement, precision gears provide consistent fluid delivery in continuous processes.

CHEMICALLY RESISTANT

Series GL has a long-life in aggressive environments.

EASY TO SERVICE

Series GL pumps are easy to service using a Micropump service kit and simple hand tools.

HIGH-SYSTEM PRESSURE CAPABILITY

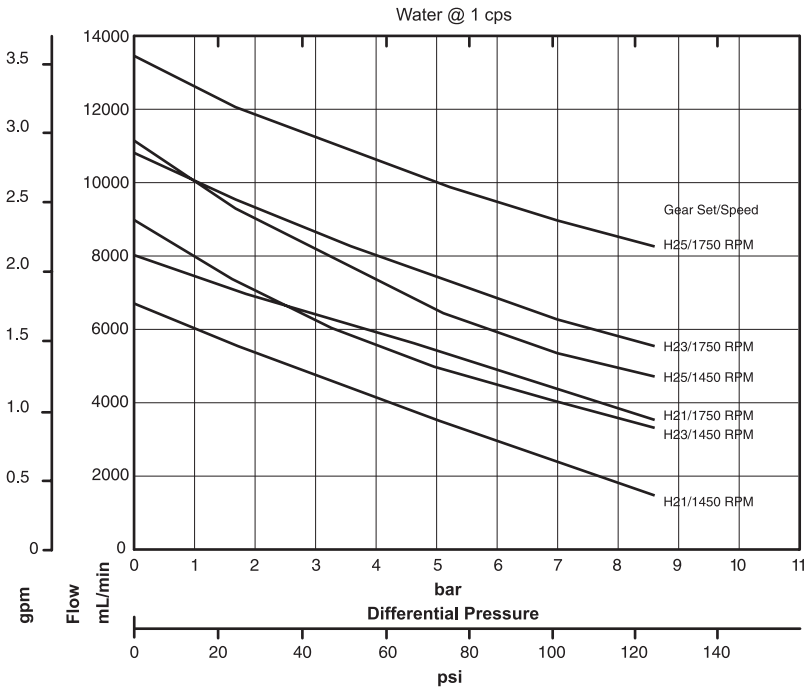
Optional versions of the Series GL are designed to withstand system pressures up to 103 Bar (1500 psi).

WIDE RANGE OF CONFIGURATIONS

Micropump's designs offer a wide range of configurations to meet your more challenging requirements including:

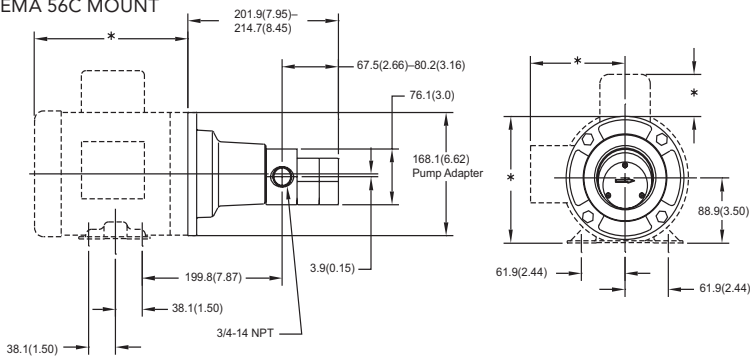
- ▶ Three standard gear sizes
- ▶ Multiple gear, body, and o-ring materials
- ▶ Optional high-torque magnets
- ▶ NEMA and IEC drive mounts

PUMP PERFORMANCE

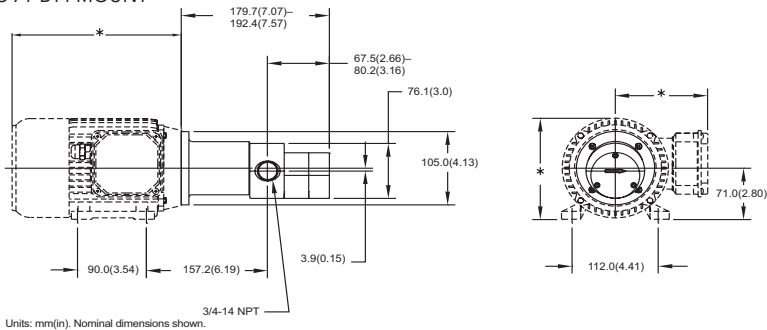


DIMENSIONS

NEMA 56C MOUNT



IEC 71-B14 MOUNT



PERFORMANCE SUMMARY

FLOW RATE AT 3450 RPM

- ▶ 26.6 L/min (7.0 US gpm)

DISPLACEMENT

- ▶ Gear Set H21 H23 H25
- ▶ mL/rev 4.6 6.2 7.7
- ▶ US gal/1000 rev 1.2 1.6 2.0

MAXIMUM RATED DIFFERENTIAL PRESSURE

- ▶ 8.6 Bar (125 psi)

MAXIMUM RATED SYSTEM PRESSURE

- ▶ 103 Bar (1500 psi)

TEMPERATURE RANGE

- ▶ -46 to 121 °C (-50 to 250 °F)

VISCOSITY RANGE

- ▶ 0.5 to 2500 cps

MAXIMUM RECOMMENDED SPEED

- ▶ 3450 rpm

PUMP CONSTRUCTION

- ▶ Magnetic drive gear pump
- ▶ Cavity style
- ▶ Helical, shafted gears
- ▶ Sleeve bushings
- ▶ O-ring seals

WETTED MATERIALS

BASE MATERIAL

- ▶ 316 stainless steel

GEARS

- ▶ PTFE
- ▶ PEEK

STATIC SEALS

- ▶ PTFE

MAGNETS

DRIVEN AND DRIVING

- ▶ Ferrite
- ▶ Rare earth

PRODUCT ENHANCEMENTS

- ▶ High-system pressure
- ▶ Carbon bushings
- ▶ Hardened shafts
- ▶ 1/2" - 14 NPT Ports



Micropump, Inc | A Unit of IDEX Corp. | 1402 NE 136th Avenue • Vancouver, WA 98684
 T 800.671.6269 • +1.360.253.2008 | F +1.360.253.8294 | info.micropump@idexcorp.com | www.micropump.com

ACTUAL PERFORMANCE MAY VARY. Specifications are subject to change without notice. ©2016 Micropump, Inc., A Unit of IDEX Corporation.
 Micropump and the Micropump logo are registered trademarks of Micropump, Inc.

REV. 1/16